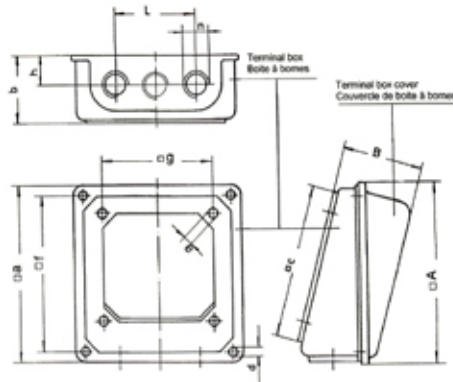
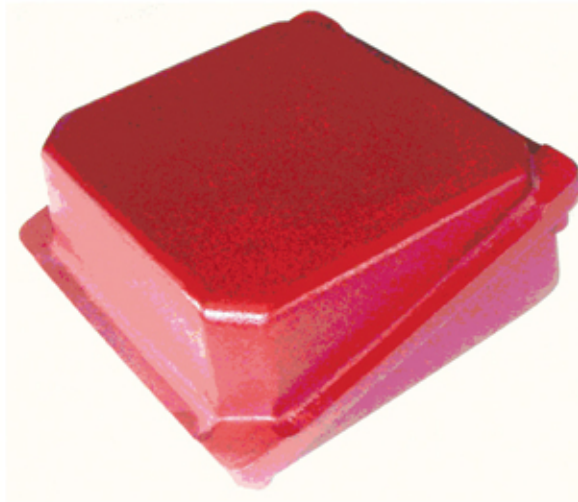




FT series

COVERS FOR MOTOR TERMINAL BOARD WITH CORE HITCHES FT series



Type	a	b	c	d	e	f	g	h	L	n	A	B
CPB 132/180	160	59	128	M6	7	144	104	30	60	3 x PG21 2 x PG29	169	79/80
CPB 200/250	215	82	184	M8	9	195	148	41	90	3 x PG29 2 x PG36 2 x PG42	224	110
CPB 280	245	78	212	M8	9	227	183	38	100	2 x PG48	252	115